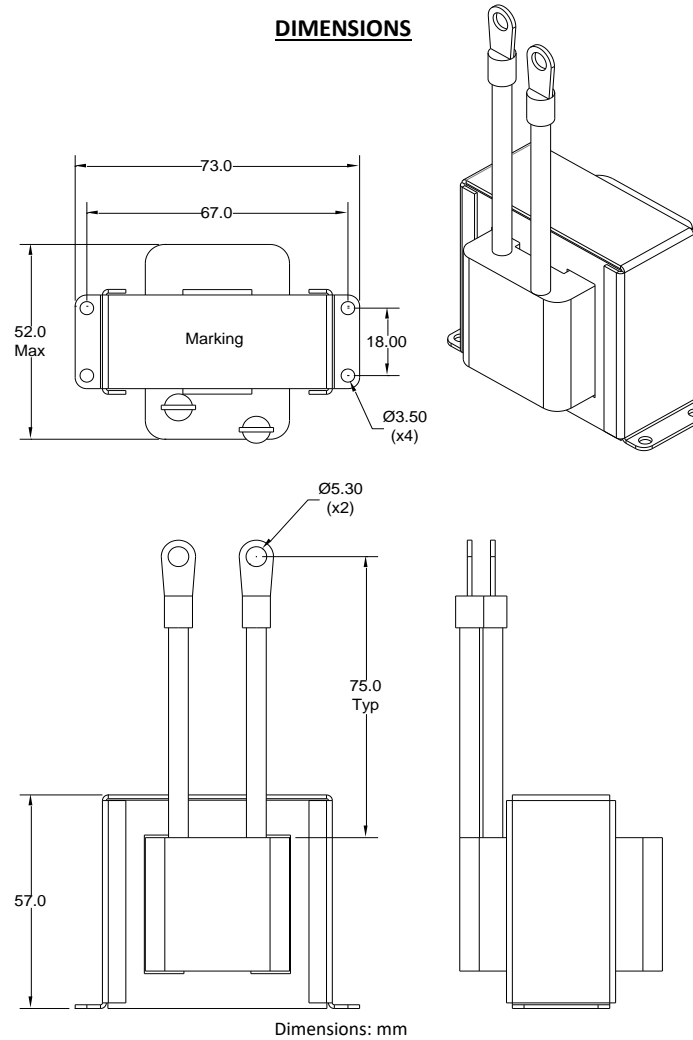


Rev	Description	By	Date
A	Released for production	AG	19-Oct-21

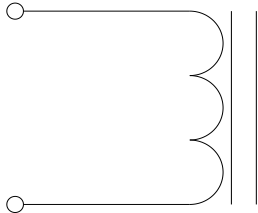
**ELECTRICAL SPECIFICATIONS @ 25°C**

L: 20μH±10% @ 100kHz, 1Vrms  
ΔL≤10% @ 40Adc  
DCR: 2.0mΩ Max  
Hipot: 2kVac, 1mA Max, 5s (wdg to bracket)  
RoHS Compliant: Yes

**DIMENSIONS**




**SCHEMATIC**



**MARKING**

MPS  
P1655B-200\_Rev#  
Date Code

<b>Notice of Proprietary Property</b> These drawings and specifications are the property of MPS and shall not be, reproduced, copied or used as the basis of manufacture of sale of apparatus without express written authorization			
<b>Dimensions</b> Unless otherwise specified .X ± .5mm .XX ± .25mm	DRAWN BY: CHECKED BY:	AG AY	19-Oct-21 19-Oct-21

 <b>MPS INDUSTRIES, INC.</b> www.mpsind.com Tel: (310) 325-1043 Fax: (310) 325-1044		Description	
		<b>Resonant Inductor</b>	
Part Number	<b>P1655B-200</b>		REV
<b>A</b>		<b>A</b>	
WEIGHT: XX gms		SHEET: 1 OF 1	